



Keydetector.Gate 'wall/desk'

This tiny little package works equally well for desktop applications as it does for access.

Access control for all types of users

- Combine access for contract and short-term users with contactless 13 MHz RFID reader featuring code entry.
- Ideal for cordoning off sections or allowing access to time-restricted areas.

Permissions control at point-of-sale

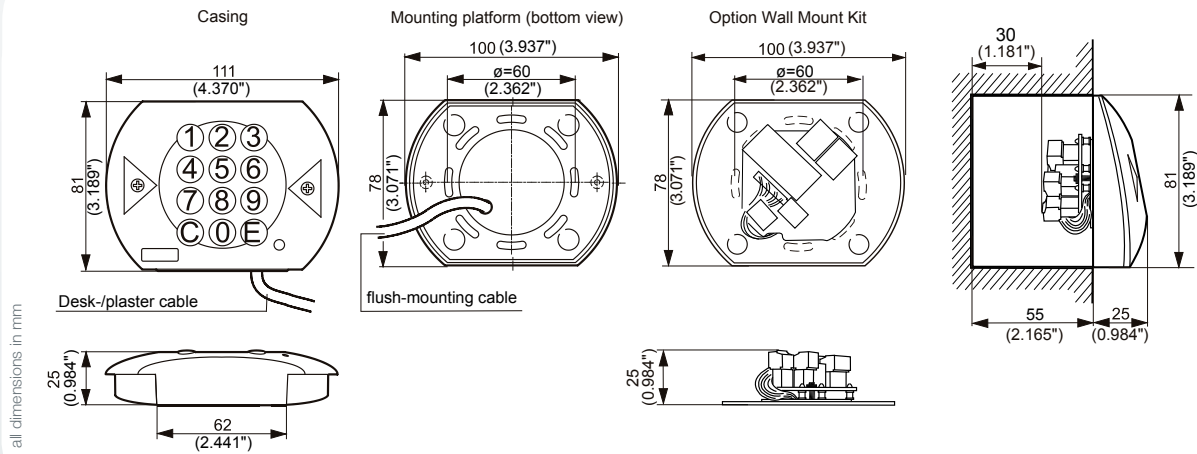
- Identify and program permissions onto 13MHz-keycards or similar RFID-based data carriers at the cashier.
- Connects to POS PCs simply via USB, with additional input/output connection to cashier drawer.

Flexible enough to offer local solutions

- Installation is easy – fits onto existing socket, mounts straight onto a wall or sits neatly on your desk.
- Place it as second control unit in a separate location to ensure doors stay closed in case of tampering.

It's good to have options

- Link it to your application and set-up different operation modes:
 - access with RFID-card and / or pin-only
 - always open / locked mode (day & night)
 - remote access via Ethernet connection



Features

- Processes 13 MHz RFID-based data carriers
- Supports ISO-15693 (8), ISO-14443A/B (4), ISO-18092 (2)
- Optional SAM module (e.g. Calypso, FeliCa)
- Keypad for optional input of access code

Support for pedestrian/vehicle access ("Wall" w/ HOST)

- Door opener provides access control at entrance doors
- Shutter opener raises/lowers barriers and shutter doors
- Can be used as section entry and exit control component
- Access permissions are verified exclusively via the host
- The 3 inputs and 2 outputs are exclusively controlled via the host

Support of use as a coding device ("Desk" with POS)

- Encoding of 13 MHz data carriers via USB interface

Standard Version

- Keydetector with integrated 13 MHz RFID
- Keypad for input/correction/confirmation of access codes
- Dummy - Keypad without Numbers (no input)
- Customer Interface: 1x LED (red/green/orange), beeper
- USB cable (USB-A plug, 3 m / 118.11", with power supply)

- I/O cable (3 inputs, 2 outputs, TTL/OC, 3 m)
- Enclosure with impact resistant ABS
- Pictograms: 2 triangles per unit

Options

- Wallmount-Kit (WMK): incl. 10/100MBit Ethernet cable (RJ45 plug), 5 galvanic. isolated I/Os (3x screw clamp terminals), 11–25 V DC ext. power supply (1x screw clamp terminal)

Local HOST extensions (for CarAccess applications)

- Interface control card with 3 inputs / 2 outputs for connection of external devices, 3 m SIO cable to Keydetector, with integrated 5 V power supply, external +24 V power adapter and 10 MBit Ethernet port for host connections. Installation in locally provided surface-mount socket (top-hat rail) for Door Opener, Shutter Opener and local section control solution.
- Induction loop twin detector for vehicle detection (+24 V, installation on top-hat rail)
- Pictogram for user information

Technical Specifications (of Keydetector.Gate)

Dimensions	113 mm x 25 mm x 80 mm (W x H x D) / 4.45" x 0.98" x 3.15" (w x h x d)
Temperature range	-20 °C to +60°C; (0–95 % d.H.)
Casing color	Traffic grey (RAL 7043)
Keypad color	Grey aluminium (RAL 9007)
Operating voltage	USB (or SIO): +5 V DC ± 5 % LPS Wallmount-Kit: +11 V to +25 V DC, LPS
Power consumption	Max. 2.5 W (max. 4 W with Wallmount-Kit)
Interfaces	USB 2.0 compatible / 3 Input / 2 Output
USB driver	XP(e)/W2000/SRV2003/Vista (x86 only), W7(e)/W2k8R2 (x86+x64)
Declarations / Certifications	CE, FCC, IC, cTÜV _{US} , C-Tick
Supported Data Carriers	keycard basic / unlimited/ca13 / advanced / venue, keytix light, keywrist light
RFID Reader	13 MHz (ISO-15693, ISO-14443, ISO-18092) 13 MHz keycards, ISO-15693, ISO-14443-3 A/B On-demand 'scripting' project management for current smartcards ISO-14443-4 A/B, ISO-18092/NFC-IP1 (T=CL), max. 1x ISO-7816 SAM Module (T=1)
Typ. Scanning Range	ISO-15693: 4 cm (1.574") / ISO-14443A/B: 2 cm (0.787") / ISO-14443A/B: 2 cm (0.787")
SAM Module	1 pc. (ISO-7816 specified parts)
I/O switching conditions	3 inputs / 2 outputs (100 % ED, e.g. for Keep-Open function) +12 V DC (max. 1.5 A) / +24 V DC (max. 0.5 A)
Installation	On standard flush-mount switch socket, 65 mm (2.559"); close-by metallic surfaces (up to 5 cm / 1.968") may influence the scanning range
Degree of protection	IP4X (applies only to the wall version and only when installed according to the installation manual)

Options (Ethernet or Host connection)

Local host (with emergency mode functionality)	sd582 / STD & Ethernet & 5 I/Os, SIO cable, 3 m; includes wide-range +24 V DC power adapter, available only for "Car Access" APT450.Logic (from R20) / Parking.Logic (from R3).
Wallmount-Kit (without emergency mode functionality)	10/100 Ethernet, 5 I/Os, galvanically isolated, requires 11–25 V DC LPS external power supply